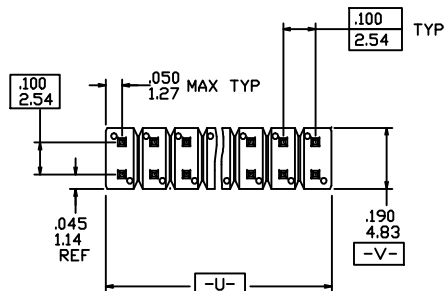


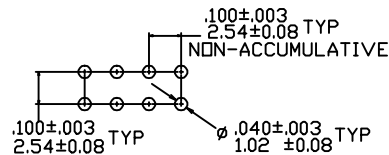
Product Number

XXXX-YYYYLF

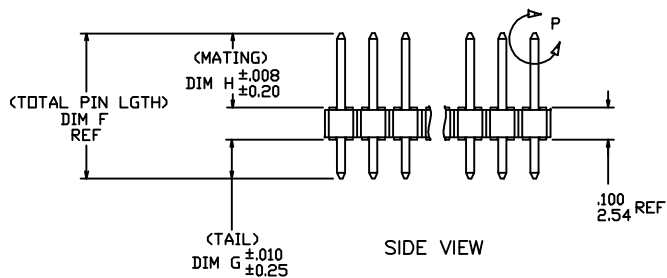
- LEAD FREE OPTION  
NOTE 11 & 12
- TUBE PACKAGING OPTION  
SEE NOTE 8 & 9
- NO. OF POSITIONS  
SEE NOTE 4
- PLATING NUMBER  
SEE SHEET 2
- BASE PART NO.



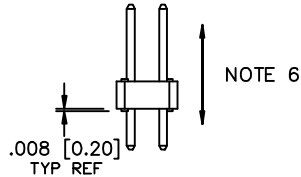
TOP VIEW



RECOMMENDED HOLE PATTERN

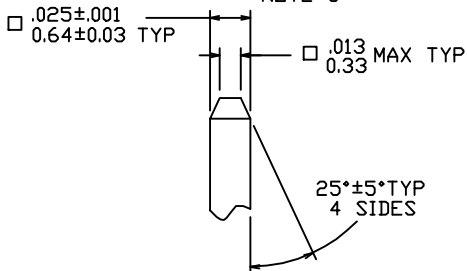


SIDE VIEW



END VIEW

⊕ ⌀ .020/0.51 (M) U (M) V (S)  
NOTE 5



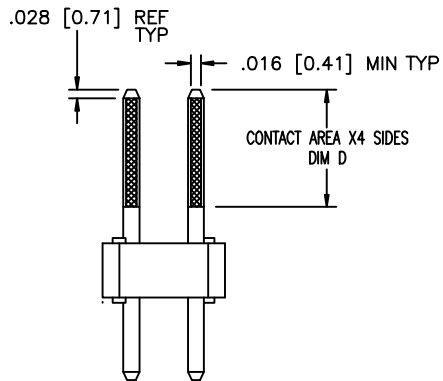
DETAIL P  
TYP BOTH ENDS

mat'l. code				surface ISO 902	tolerance ISO 406 ISO 7001	projection ISO 1001	product family BERGSTIK
ltr	ecn no	dr	date	tolerances unless otherwise specified		INCH/MM	title BERGSTIK® II HDR. DUPLEX SPECIAL .100/2.54cc DR STRAIGHT
A	v03-0962	DAI	8/28/03	angles	XXX.01/XXX.03		
B	M05-0118	ERE	6/02/05	linear	XXX±.06/XXX±0.13	scale 2:1	dwg no 10007367
C	M06-0271	AGS	7/14/06	0'±2'	XXX±.0020/XXX±0.051	sheet 1 of 3	size A3
D	M06-0346	MHT	9/04/06	dr	D. INGRAM 8/28/03	type Product Customer Drawing	
E	M08-0279	MHT	9/30/08	engr	H. SUNDY 8/28/03		
				chr	H. SUNDY 8/28/03		
				appd	H. SUNDY 8/28/03		
sheet	revision	E	E	E			
index	sheet	1	2	3			

PLATING NUMBER	Contact Area "Dim D" (NOTE 3)
XXXXX-1YY	30u"/0.76u Au OVER 50u"/1.27u Ni
XXXXX-2YY	15u"/0.38u Au OVER 50u"/1.27u Ni

NOTES

- ① .BODY MATERIAL: GLASS FIBER REINFORCED PCT FLAME RETARDENT PER UL-94V-O. COLOR: BLACK.  
OR  
MINERAL FILLED LCP FLAME RETARDENT PER UL-94V-O. COLOR: BLACK.
- ② PIN MATERIAL: PHOS-BRONZE.
- ③ FINISH:  
CONTACT AREA: SEE TABLE  
SOLDER TAIL: 100u"/2.54u TIN OVER 50u"/1.27u Ni  
LEAD FREE OPTION:  
SOLDER TAIL: 100u"/2.54u TIN OVER 50u"/1.27u Ni
- ④ ANY NUMBER OF POSITIONS FROM 2 (2X1) THRU 72 (2X36).
- ⑤ MEASURED WITH PART IN RESTRAINED CONDITION.
- ⑥ 2LBS/0.9KG MIN PIN RETENTION IN EITHER DIRECTION.
7. PACKAGED IN POLY BAGS.
- ⑧ EIGHT DIGIT PART NUMBERS FOLLOWED BY A "T" ARE PACKAGED IN TUBES WITHOUT PICK-UP CAPS, SEE SPECIFIC PART NUMBERS FOR AVAILABILITY.
- ⑨ EIGHT DIGIT PART NUMBERS FOLLOWED BY A "P" ARE PACKAGED IN TUBES WITH PICK-UP CAPS APPLIED.
10. VACUUM CAP MATERIAL: LCP, COLOR BLACK  
VACUUM CAP TO BE CENTERALLY LOCATED ON ASSEMBLY REGARDLESS OF PART SIZE WHEN REQUIRED.
- ⑩ . ADD "LF" SUFFIX AT THE END OF PART NUMBER FOR LEAD FREE OPTION.
- ⑪ . THIS PRODUCT MEETS EUROPEAN UNION DIRECTIVES AND OTHER COUNTRY REGULATION AS DESCRIBED IN GS-22-008.
13. THE HOUSING WILL WITHSTAND EXPOSURE TO 260°C PEAK TEMPERATURE FOR 20 SECONDS IN A CONVECTION, INFRA-RED OR VAPOR PHASE REFLOW OVEN. OR FOR FOR 15 SECONDS IN A WAVE SOLDER APPLICATION WITH A 1.5mm MINIMUM THICK CIRCUIT BOARD. SEE APPLICATION NOTES/PROCEDURES IF THEY ARE AVAILABLE.



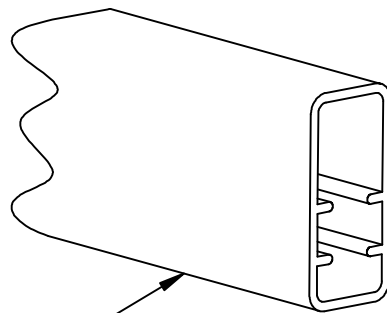
END VIEW



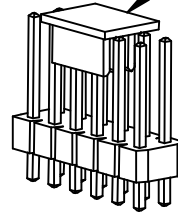
Copyright FCI

mat'l. code		surface ISO 902		tolerance ISO 406 ISO 7001		projection 		product family BERGSTIK	
ltr	ecn no	dr	date	tolerances unless otherwise specified					
E				angles	linear	INCH/MM		title BERGSTIK® II HDR. DUPLEX SPECIAL .100/2.54cc DR STRAIGHT	
				0°±2'	XXX±.01/XX±0.3 XXX±.005/XX±0.13 XXX±.0020/XX±0.051	scale 2:1		dwg no 10007367	
				dr	D. INGRAM	8/28/03			sheet 2 of 3 size A3
				engr	H. SUNDY	8/28/03			
				chr	H. SUNDY	8/28/03			
				appd	H. SUNDY	8/28/03			
sheet	revision		type Product Customer Drawing						
index	sheet								

PRODUCT NO.	TOTAL PIN LENGTH		TAIL LENGTH		MATING LENGTH		CONTACT AREA		PACKAGING
	DIM F	DIM F	DIM G	DIM G	DIM H	DIM H	DIM D	DIM D	
	ENGLISH	METRIC	ENGLISH	METRIC	ENGLISH	METRIC	ENGLISH	METRIC	
10007367-XYX	0.525	13.34	0.100	2.54	0.325	8.26	0.273	6.93	NOTE 7, 8, 9
10007367-XYLF	0.525	13.34	0.100	2.54	0.325	8.26	0.273	6.93	NOTE 7, 8, 9



PACKAGING TUBE



BERGSTIK ASSEMBLY

WITH OR WITHOUT VACUUM CAP

FOR TUBE PACKAGING SEE NOTE 8 OR 9

mat'l. code				surface ISO 1302		tolerance ISO 406 ISO 7001		projection 		product family BERGSTIK	
ltr	ecn no	dr	date	tolerances unless otherwise specified							
E				angles	linear	$\frac{.XX \pm .01}{.XX \pm .03}$	$\frac{.XXX \pm .005}{.XXX \pm .013}$	$\frac{.000 \pm .0020}{.000 \pm .005}$	INCH/MM		title
				$0^\circ \pm 2'$					scale 2:1		BERGSTIK® II HDR. DUPLEX SPECIAL .100/2.54cc DR STRAIGHT
				dr	D. INGRAM	8/28/03					dwg no
				engr	H. SUNDY	8/28/03					sheet 3 of 3 size
				chr	H. SUNDY	8/28/03					10007367
				appd	H. SUNDY	8/28/03					A3
sheet	revision			type Product Customer Drawing							
index	sheet										



Copyright FCJ